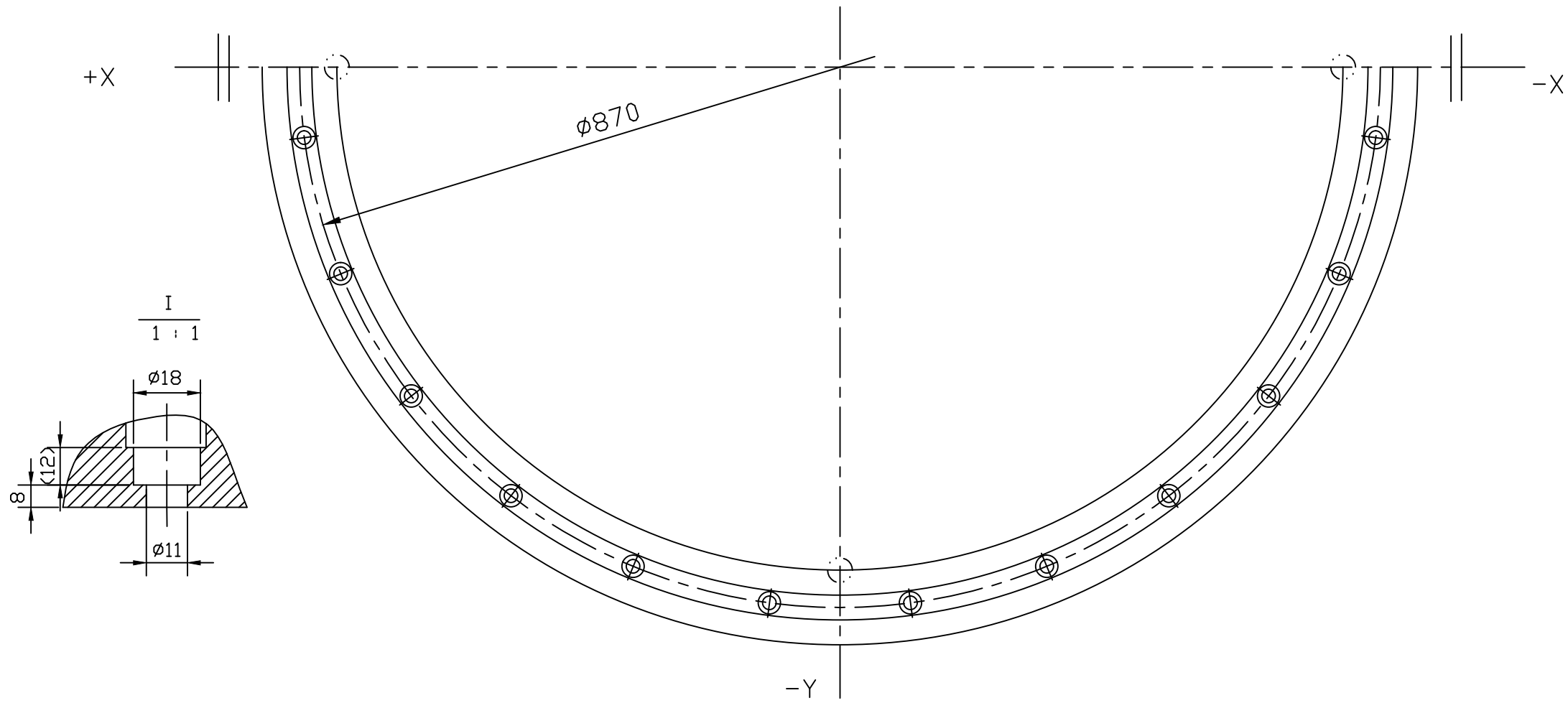
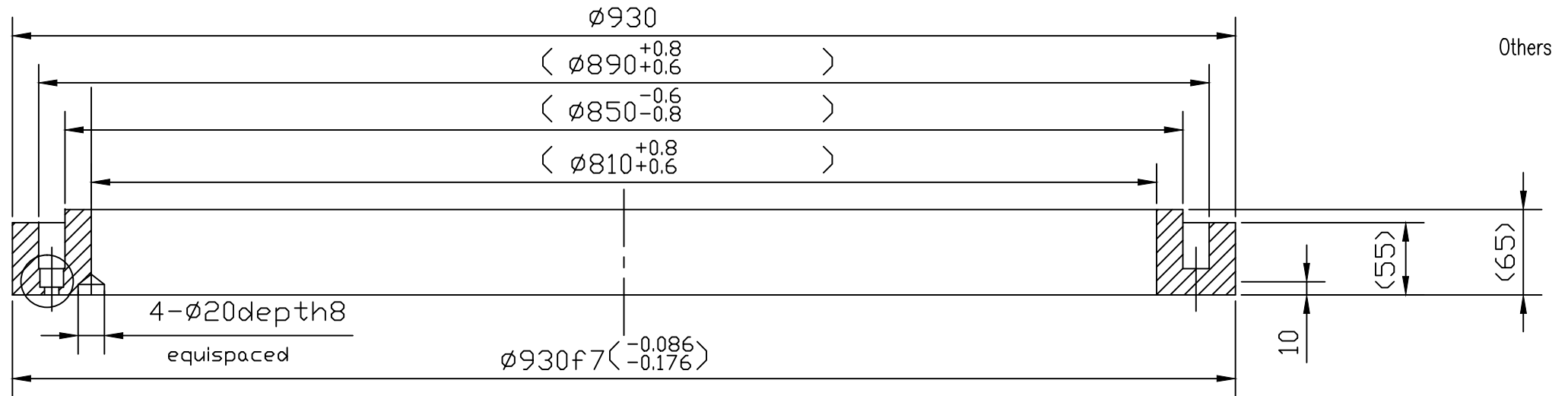


H10011.2-03



借(通)用件登? 描 ? 校
 旧底??号
 底??号
 ? 字
 日 期

Technical Requirements
 1. The left chamfer is $1 \times 45^\circ$.
 2. The sizes bracketed should keep margin for fine machining of front cover

				Front Seal Ring		H10011.2-03			
						D-TAG		MASS	RATIO
						S	A	60	1:4
						OF			
				ZG1Cr18Ni9Ti		ZHEJIANG JINLUN ELECTROMECHANIC CO., LTD			
TAG	NUM	FILE-NO	SIGN	DATE					
DESIGNED									
CHECKED			APPROVED						
VERIFIED									
			DATE						